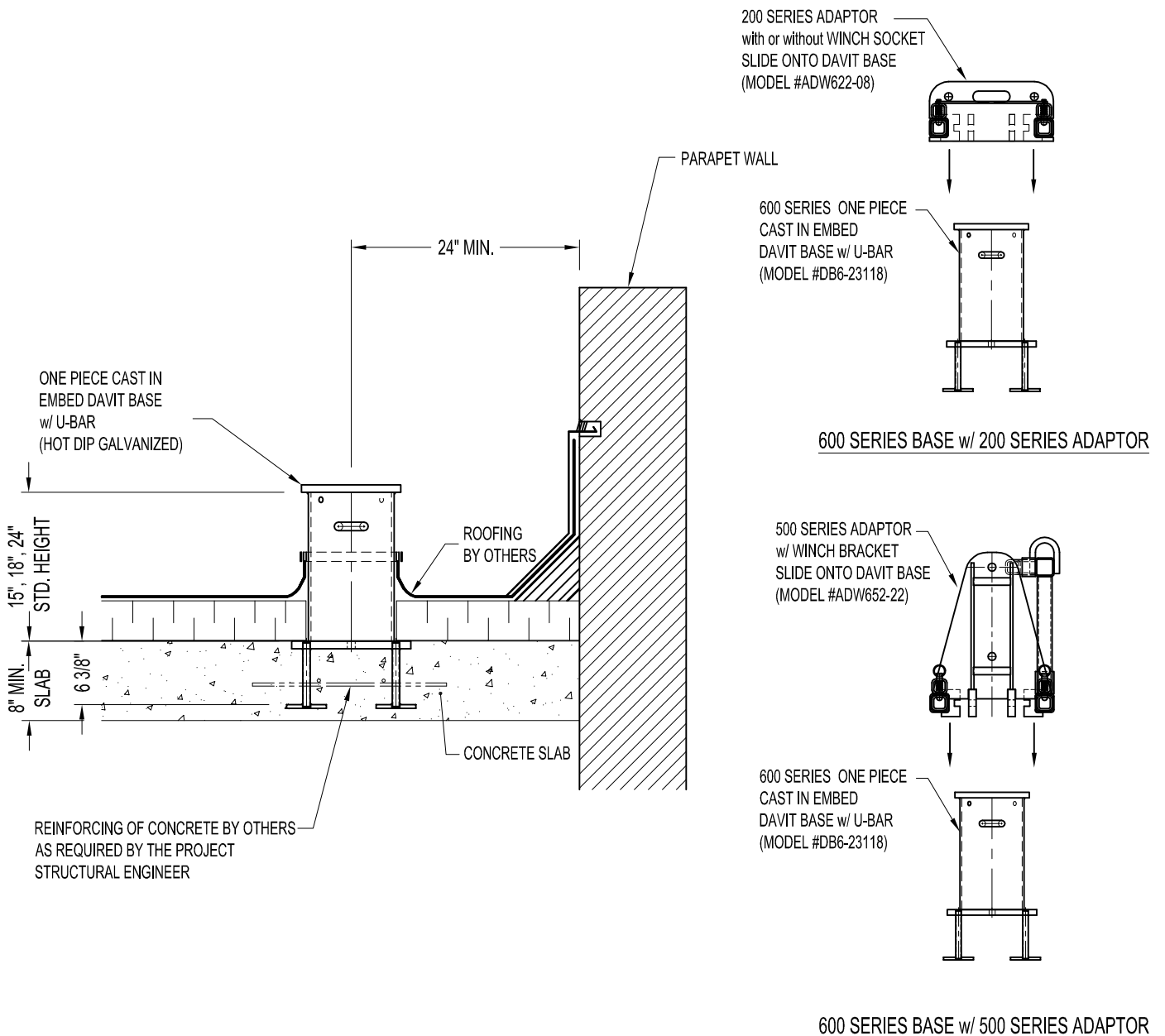


**NOTES:**

1. 6'-6" MAX. REACH WITH 1,000 lbs. WORKING LOAD.
2. DAVIT BASE ASSEMBLY SHOWN AS ONE PIECE CAST IN EMBED.
3. ASSEMBLY SHOWN IS STANDARD 15", 18" & 24" HIGH MODELS FOR MIN. SLAB THICKNESS OF 8".
4. ASSEMBLY SHOWN CAN BE USED WITH 200 & 500 SERIES ADAPTOR FOR ALL TYPE OF DAVIT ARMS.

**IMPORTANT:**

1. DAVIT BASES ARE DESIGNED TO A TYPICAL SUSPENSION LOAD OF 1,000 lbs. (4.5 KN), WITH A FACTOR OF SAFETY OF 4 AGAINST FRACTURE OR DETACHMENT.
2. IT IS THE RESPONSIBILITY OF THE STRUCTURAL ENGINEER FOR THE OVERALL PROJECT TO ENSURE THAT THE STRUCTURE ON WHICH THE SAFETY EQUIPMENT BY PRO-BEL IS INSTALLED, IS REINFORCED TO WITHSTAND THE LOADS INDICATED ON THIS DRAWING.



**DB6-23118: 600 SERIES ONE PIECE CAST IN EMBED DAVIT BASE - WITH U-BAR**