

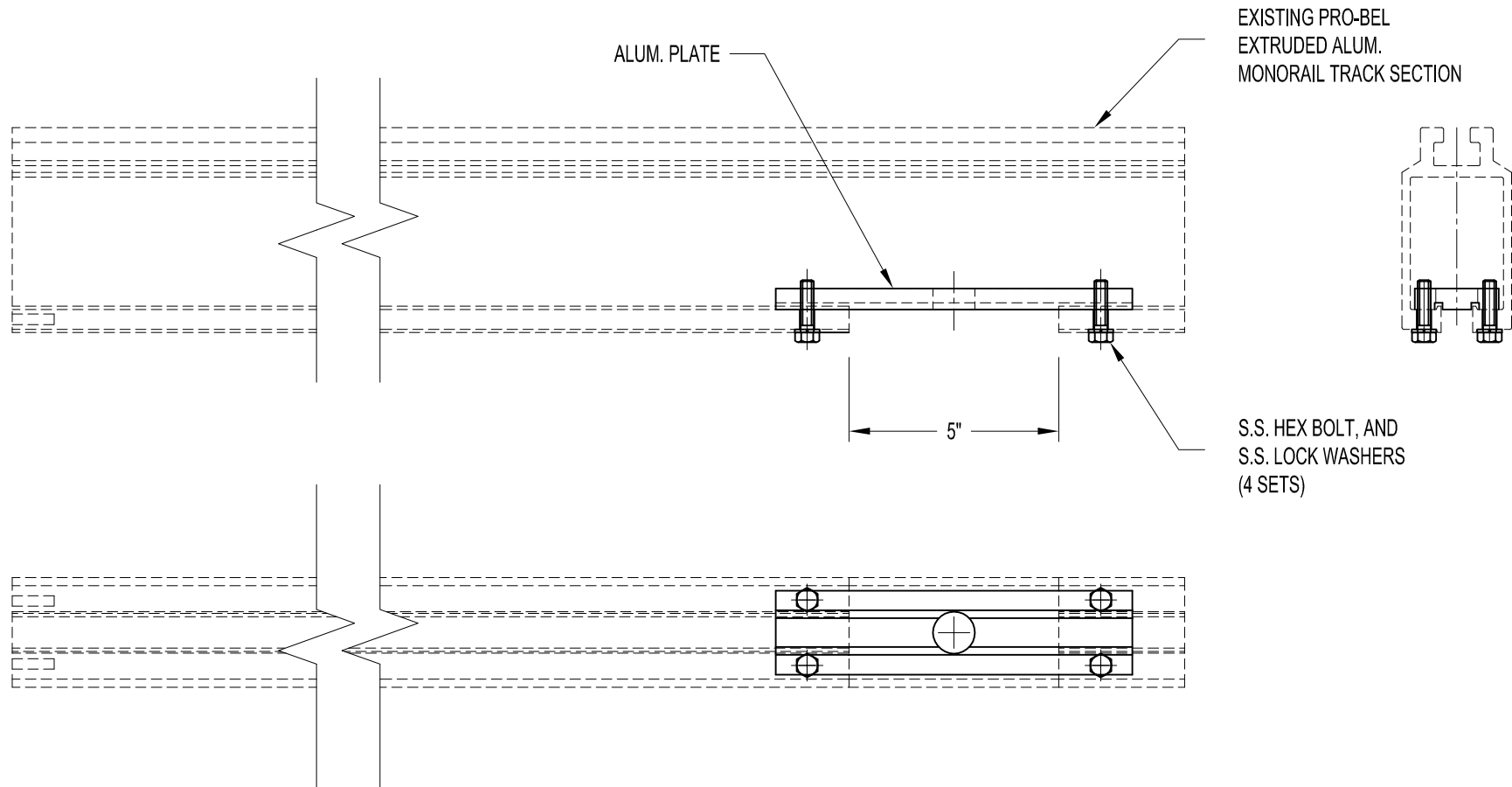


Pro-Bel Group Ltd.
765 Westney Road South
Ajax, Ontario, Canada L1S 6W1

Toll Free: (800) 461-0575
Tel: (905)-427-0616
Fax: (905)-427-2545
Email: info@pro-belgroup.com

NOTES:

1. SEE MONORAIL CATALOG FOR MORE DETAILS ON PRO-BEL MONORAIL SYSTEM, INCLUDING OTHER AVAILABLE ACCESSORIES.



MNEE1-A05: PRO-BEL MONORAIL TRACK SECTION WITH 5" LONG ENTRY/EXIT FOR PRO-BEL STD. TROLLEY (TR-001S)