



Pro-Bel Group Ltd.
765 Westney Road South
Ajax, Ontario, Canada L1S 6W1

Toll Free: (800) 461-0575
Tel: (905)-427-0616
Fax: (905)-427-2545
Email: info@pro-belgroup.com

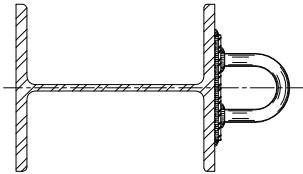
NOTES:

1. 1,000 lbs. WORKING LOAD IN ANY DIRECTION.
2. ASSEMBLY SHOWN AS WELDED TO VARIOUS EXISTING STEEL STRUCTURES.

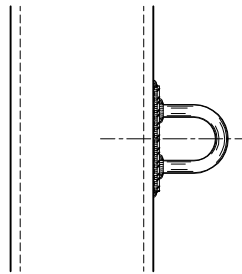


IMPORTANT:

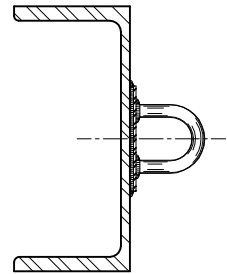
1. THE SAFETY ANCHOR HAS BEEN DESIGNED TO ENSURE THAT FRACTURE OR DETACHMENT DOES NOT OCCUR WITH A 5,000 lbs. (22.2 KN) LOAD.
2. IT IS THE RESPONSIBILITY OF THE STRUCTURAL ENGINEER FOR THE OVERALL PROJECT TO ENSURE THAT THE STRUCTURE ON WHICH THE SAFETY EQUIPMENT BY PRO-BEL IS INSTALLED, IS REINFORCED TO WITHSTAND THE LOADS INDICATED ON THIS DRAWING.



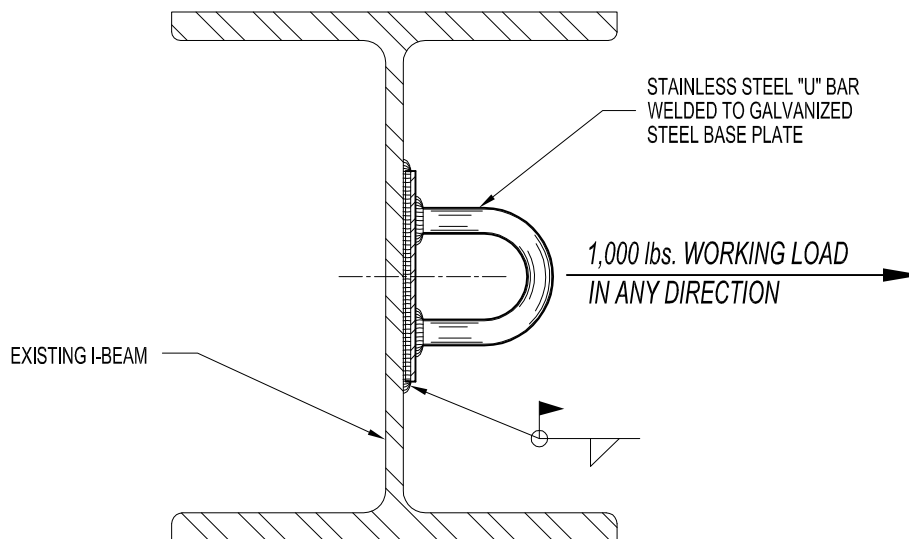
I-BEAM FLANGE



HSS SECTION



"C" CHANNEL



SAFETY ANCHOR WELDED TO I-BEAM WEB

PB80SG: WELD TO STEEL STRUCTURE WALL ANCHOR