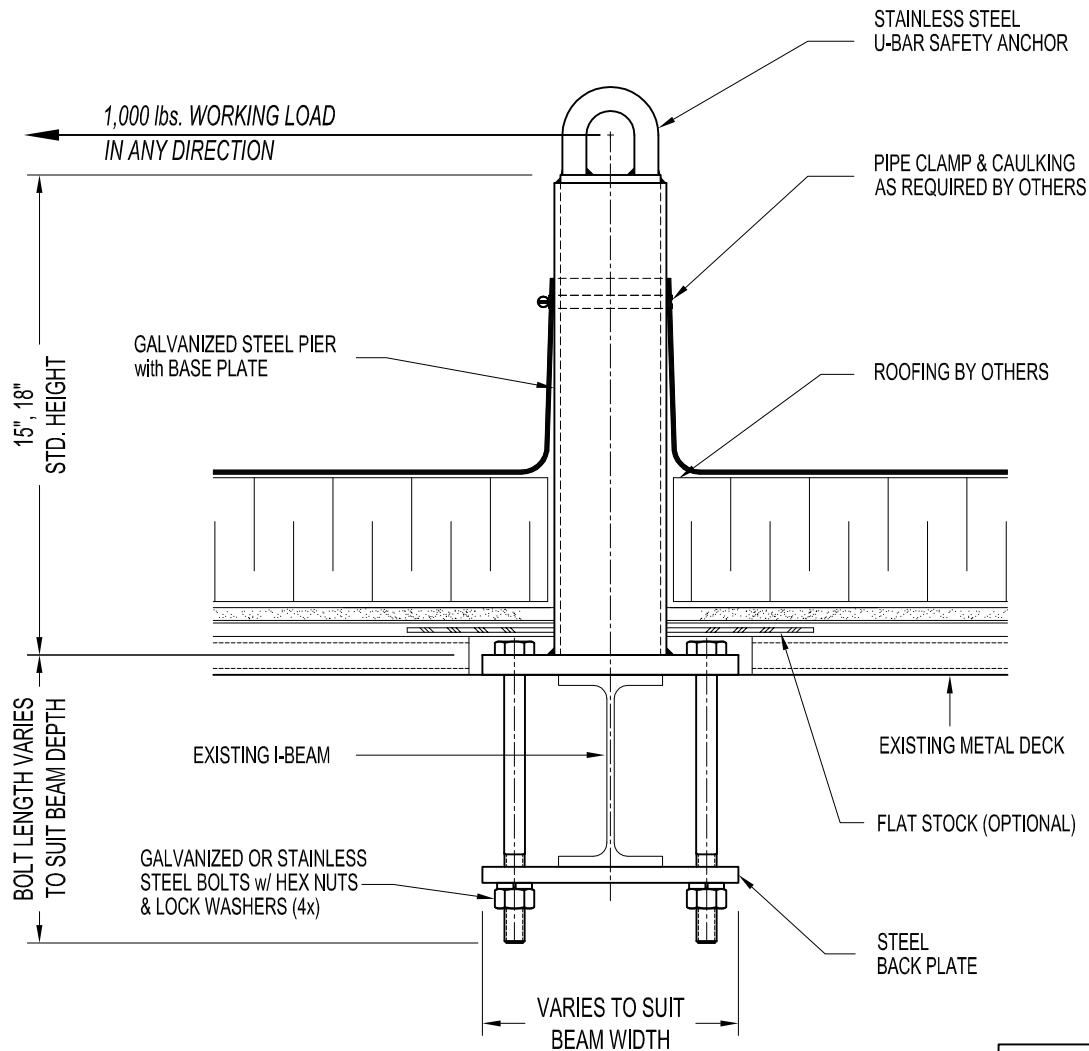


**NOTES:**

- 1,000 lbs. WORKING LOAD IN ANY DIRECTION.
- ASSEMBLY AVAILABLE IN 15" AND 18" STANDARD HEIGHTS WITH VARIES BOLT LENGTHS, AND VARIES SIZE OF BASE AND BACK PLATES TO SUIT BEAM SIZE.
- ASSEMBLY SHOWN WITH CONVENTIONAL SINGLE PLY ROOFING (BY OTHERS) - NO FLASHING.

**IMPORTANT:**

1. THE SAFETY ANCHOR HAS BEEN DESIGNED TO ENSURE THAT FRACTURE OR DETACHMENT DOES NOT OCCUR WITH A 5,000 lbs. (22.2 KN) LOAD.
- IT IS THE RESPONSIBILITY OF THE STRUCTURAL ENGINEER FOR THE OVERALL PROJECT TO ENSURE THAT THE STRUCTURE ON WHICH THE SAFETY EQUIPMENT BY PRO-BEL IS INSTALLED, IS REINFORCED TO WITHSTAND THE LOADS INDICATED ON THIS DRAWING.



MAX. LIMIT = 18"

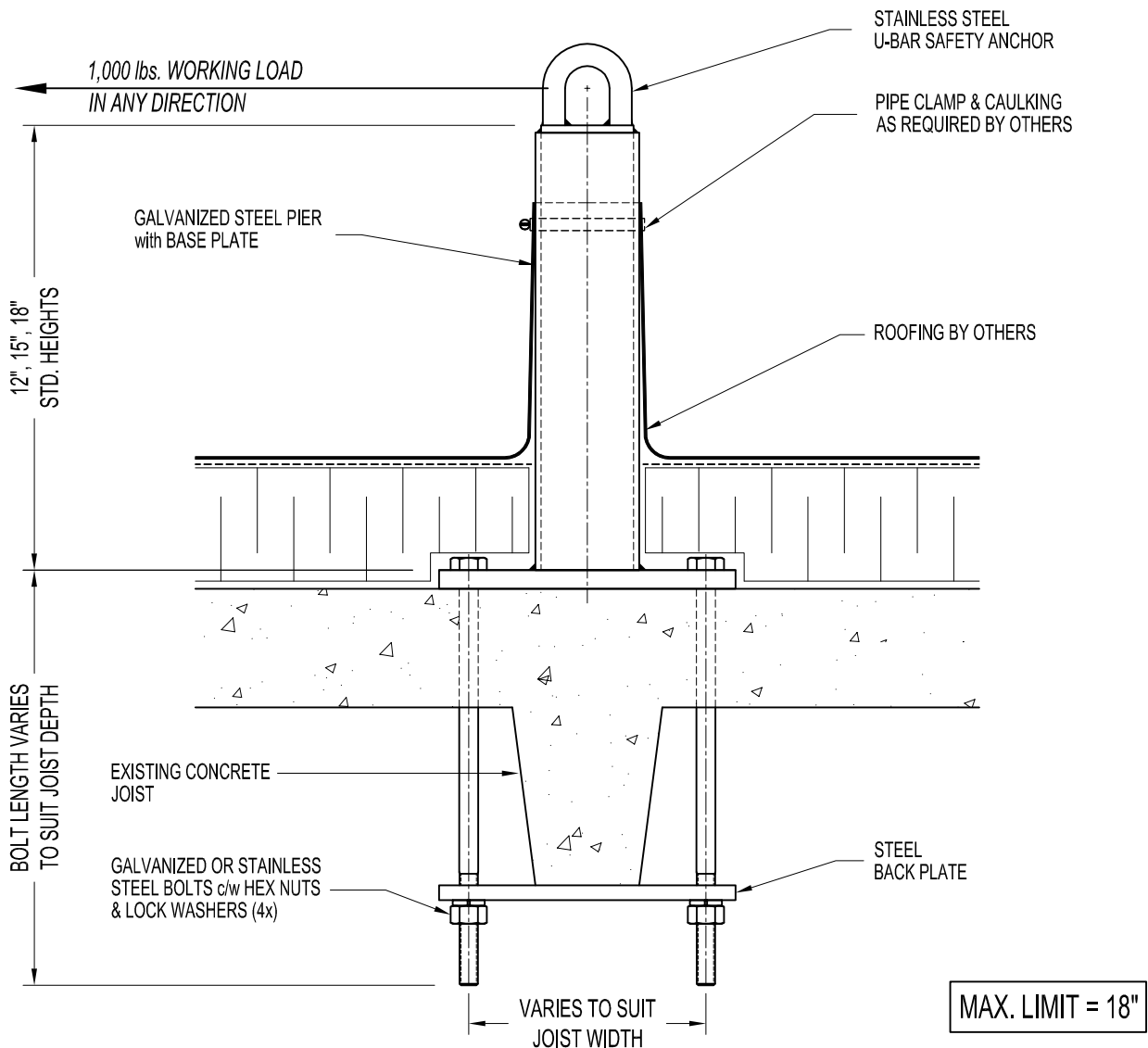
**PBE76: WRAP AROUND STRUCTURE ROOF ANCHOR**

**NOTES:**

- 1,000 lbs. WORKING LOAD IN ANY DIRECTION.
- ASSEMBLY AVAILABLE IN 12", 15" AND 18" STANDARD HEIGHTS WITH VARIES BOLT LENGTHS, AND VARIES SIZE OF BASE AND BACK PLATES TO SUIT JOIST WIDTH.
- ASSEMBLY SHOWN WITH CONVENTIONAL SINGLE PLY ROOFING (BY OTHERS) - NO FLASHING.

**IMPORTANT:**

1. THE SAFETY ANCHOR HAS BEEN DESIGNED TO ENSURE THAT FRACTURE OR DETACHMENT DOES NOT OCCUR WITH A 5,000 lbs. (22.2 KN) LOAD.
2. IT IS THE RESPONSIBILITY OF THE STRUCTURAL ENGINEER FOR THE OVERALL PROJECT TO ENSURE THAT THE STRUCTURE ON WHICH THE SAFETY EQUIPMENT BY PRO-BEL IS INSTALLED, IS REINFORCED TO WITHSTAND THE LOADS INDICATED ON THIS DRAWING.



**PBE76: WRAP AROUND CONCRETE JOIST ROOF ANCHOR**