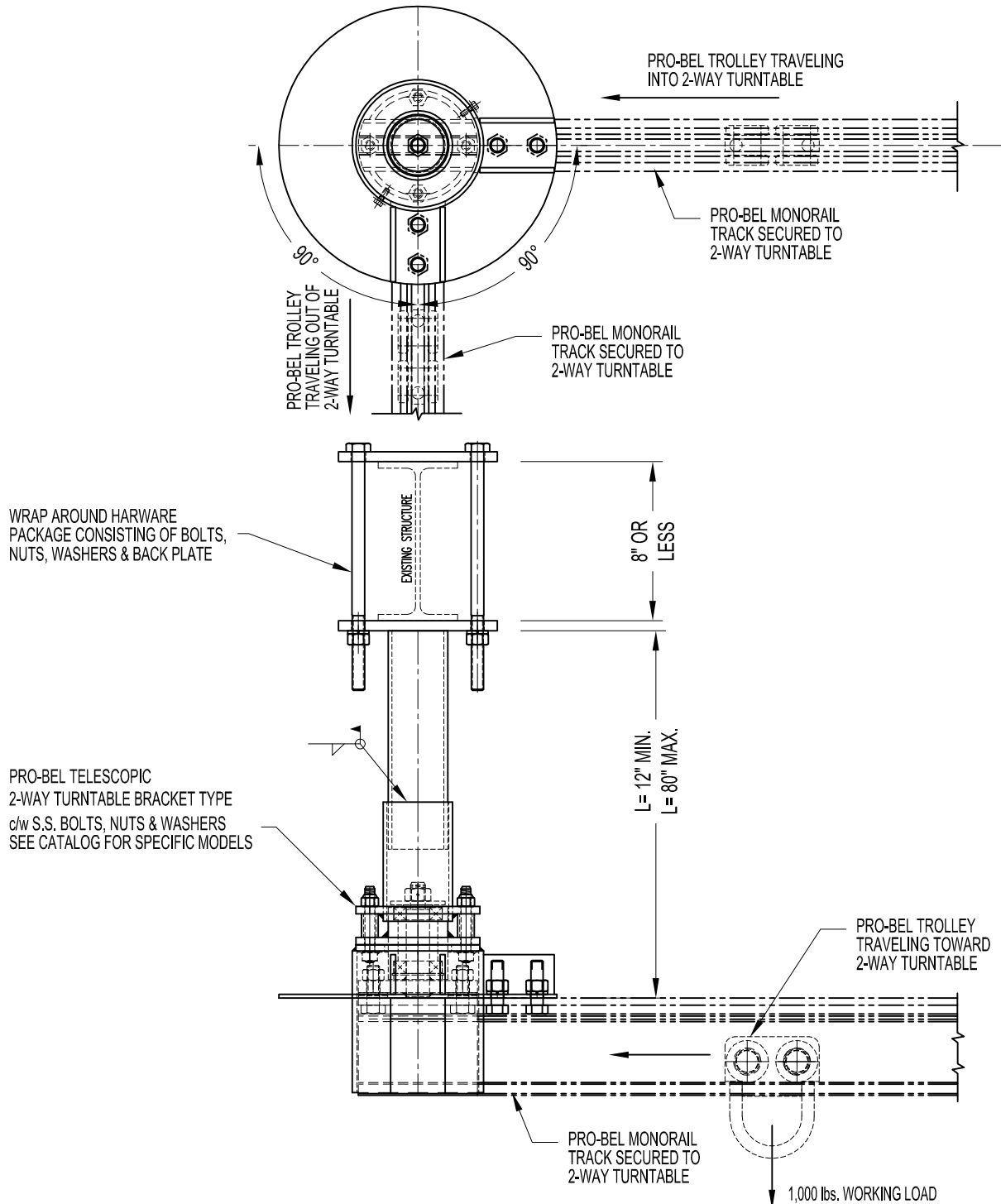


NOTES:

1. SYSTEM GOOD FOR 1,000 lbs WORKING LOAD ONLY.
2. PRO-BEL 2-WAY TRUNTABLE HANGER BRACKET ASSEMBLY SHOWN WRAPPED AROUND EXISTING STEEL STRUCTURE.
3. SEE MONORAIL CATALOG FOR MORE DETAILS ON PRO-BEL MONORAIL SYSTEM, INCLUDING OTHER AVAILABLE ACCESSORIES.

IMPORTANT:

1. IT IS THE RESPONSIBILITY OF THE STRUCTURAL ENGINEER FOR THE OVERALL PROJECT TO ENSURE THAT THE STRUCTURE ON WHICH THE SAFETY EQUIPMENT BY PRO-BEL IS INSTALLED, IS REINFORCED TO WITHSTAND THE LOADS INDICATED ON THIS DRAWING.



MN-TT240-8000: PRO-BEL 2-WAY TURNTABLE BRACKET ASS'Y (WRAP AROUND)